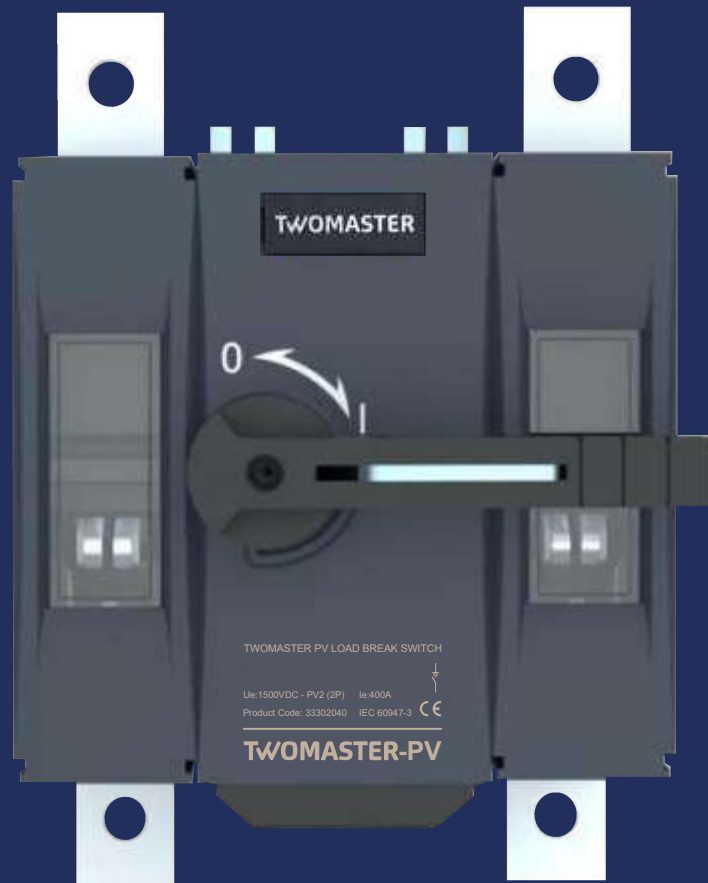


TWOMASTER

PV Load Break Switches

80-1250A

1000-1500VDC



TWOMASTER PV Series

Product Description

TWOMASTER PV series switch-disconnector is using the modular concept. The switch body adopts the special module assembly and the new appearance design to reduce the exposed metal parts of the switch body and improve the safety operating performance of the switch. The modular design facilitates the assembly and disassembly of the switch, and is suitable for different use requirements and occasions.

TWOMASTER PV series switch-disconnector is fit for AC 50/60Hz. Its rated working voltages are AC380V, AC690V, AC800V, AC1000V, DC1000V, DC1500V and the rated working current of 80A-1250A in the low-voltage distribution network can meet the loaded power-on and break the corresponding rated current, at the same time, it can also endure the overload current in the circuit in a short time.

TWOMASTER PV series switch-disconnector can be used for main power switches, isolating inspection switches and emergency stop switches of building construction, power, photovoltaic and petrochemical industries and factories, etc.

Compliance standards

National standards

GB/T 14048.1 Low-voltage Switchgear and Controlgear-General Rules

GB/T 14048.3 Low-voltage Switchgear and Controlgear -Switches, Disconnectors, Switch-disconnectors and Fuse-combination Units

International standards

IEC 60947-1 Low-voltage Switchgear and Controlgear- General Rules

IEC 60947-3 Low-voltage Switchgear and Controlgear -Switches, Disconnectors, Switch-disconnectors and Fuse-combination Units

Equipment Certification

PV series switch-disconnector has passed CCC, RoHS and CE standard certifications.

Product Code



004-40A ; 006-63A ; 008-80A ;
 010-100A ; 012-125A ; 016-160A
 020-200A ; 025-250A ; 031-315A
 040-400A ; 050-500A ; 063-630A
 080-800A ; 100-1000A ; 120-1250A

2-2Poles ; 3-3 Poles ; 4-4 Poles

0-Front opr. ; 1-Side opr.

1-400VAC ; 2-1000VAC. ; 3-1500VDC ; 4-1000VDC

1-DC ; 2-AC ; 3-PV

LBS



TWOMASTER PV Series

Product parameter



| | | | | | |
|-----------------------------------------------------|----------------|-----------------------------|-----------------------------|-----------------------------|----------------------------|
| Conventional thermal current (A) | 160 | 250 | 630 | 1250 | |
| Rated operating voltage (V) | DC1000 DC1500 | | DC1000 DC1500 | | |
| Rated operating current (A) | 80,100,125,160 | 200,250 | 315,400,500,630 | 800,1000,1250 | |
| Number of poles | 2P/3P/4P | | | | |
| Rated impulse withstand voltage Uimp (kV) | 12 | | | | |
| Rated insulation voltage Ui (V) | 1500 | | | | |
| Usage category | DC1000V | DC -PV2(2P) | DC -PV2(2P) | DC -PV2(2P) | DC -PV1(2P) |
| | DC1500V | DC -21 B(3P) DC -PV2(4P) | DC -21 B(3P) DC -PV2(4P) | DC -21 B(3P) DC -PV2(4P) | DC -21A(3P) DC -PV1(4P) |
| Rated short circuit making capability Icm (kA peak) | DC 1500V | 5 | 7 | 10 | 40 |
| Rated short-time withstand current Icw | DC 1500V | 10kA/1s | 10kA/1s | 20kA/1s | 40kA/1s |
| Mechanical life (times) | | 7800 | 7800 | 4800 | 2900 |
| Electrical life (times) | | 200 | 200 | 200 | 100 |
| Tightening torque with terminal (Nm) | | 15-22 | 15-22 | 50-75 | 50-75 |
| Operating altitude | <2000 m | | | | |
| Operating temperature | -45°C - + 70°C | | | | |
| Pollution level | Level 3 | | | | |
| Protection level | IP20 | | | | |
| Weight(kg) | 3 poles | 1.7 | 1.9 | 6.5 | 15.8 |
| | 4 poles | 2.3 | 2.5 | 7.7 | 19.3 |



NEW

TWOMASTER PV Series

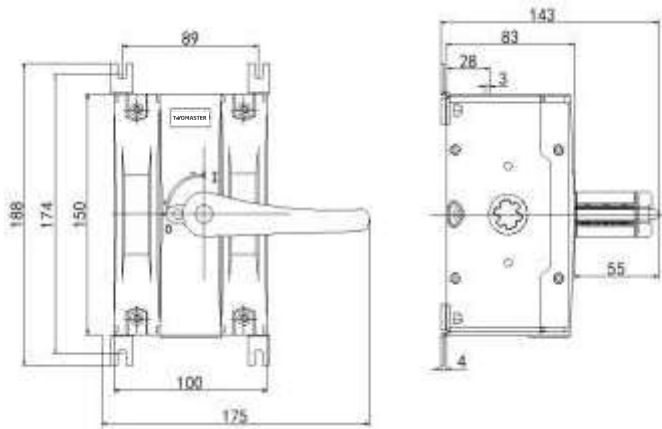
Product parameter



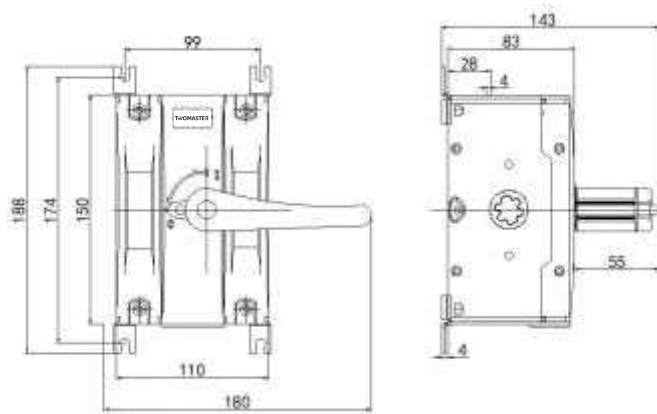
| | | |
|-----------------------------------------------------|----------|---------------------|
| Conventional thermal current (A) | | 500 |
| Rated operating voltage (V) | | DC1500 |
| Rated operating current (A) | | 200 250 315 400 500 |
| Number of poles | | 2P |
| Rated impulse withstand voltage Uimp (kV) | | 12 |
| Rated insulation voltage Ui (V) | | 1500 |
| Usage category | DC 1500V | DC-PV2 |
| Rated short circuit making capability Icm (kA peak) | DC 1500V | 10 |
| Rated shorttime withstand current Icw | DC 1500V | 10kA/1s |
| Mechanical life (times) | | 4800 |
| Electrical life (times) | | 200 |
| Tightening torque with terminal (Nm) | | 50-75 |
| Operating altitude | | <2000 m |
| Operating temperature | | -45°C- + 70°C |
| Pollution level | | Level 3 |
| Protection level | | IP20 |
| Weight(kg) | 2 poles | 6.6 |

TWOMASTER PV Series

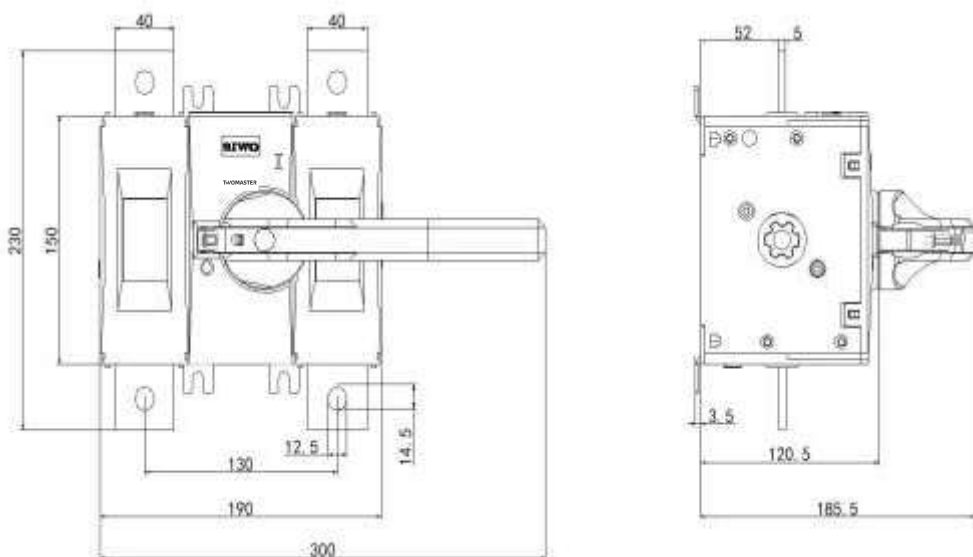
1000VDC / 160A / 2P



1000VDC / 250A / 2P

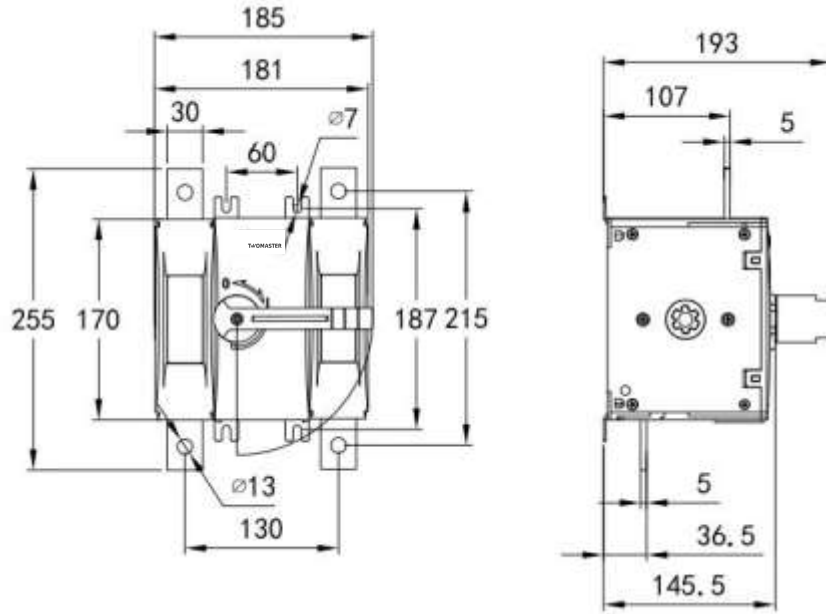


1000VDC / 315...630A / 2P

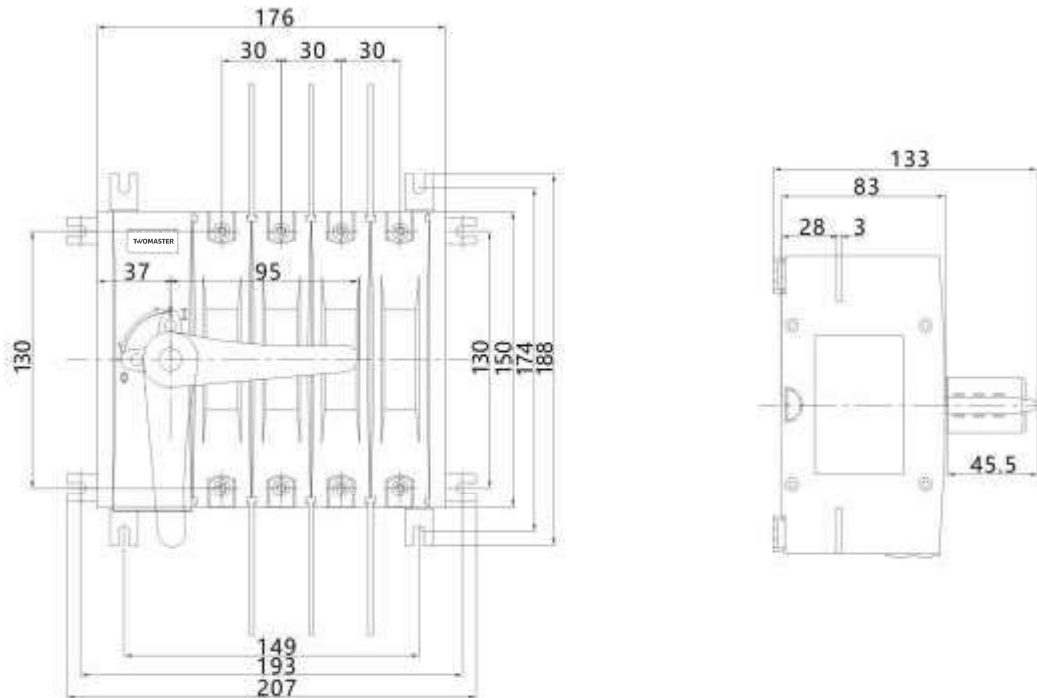


TWOMASTER PV Series

1500VDC / 200...500A / 2P

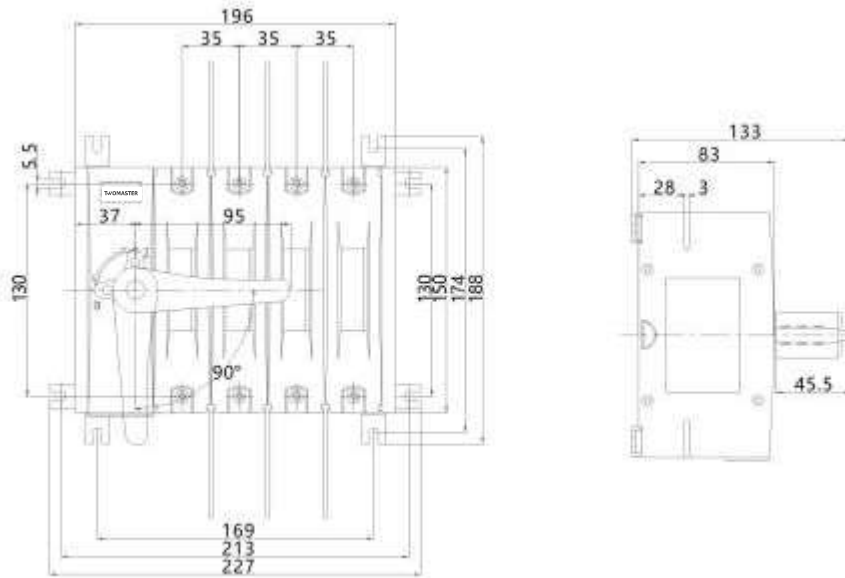


1500VDC / 160A / 4P

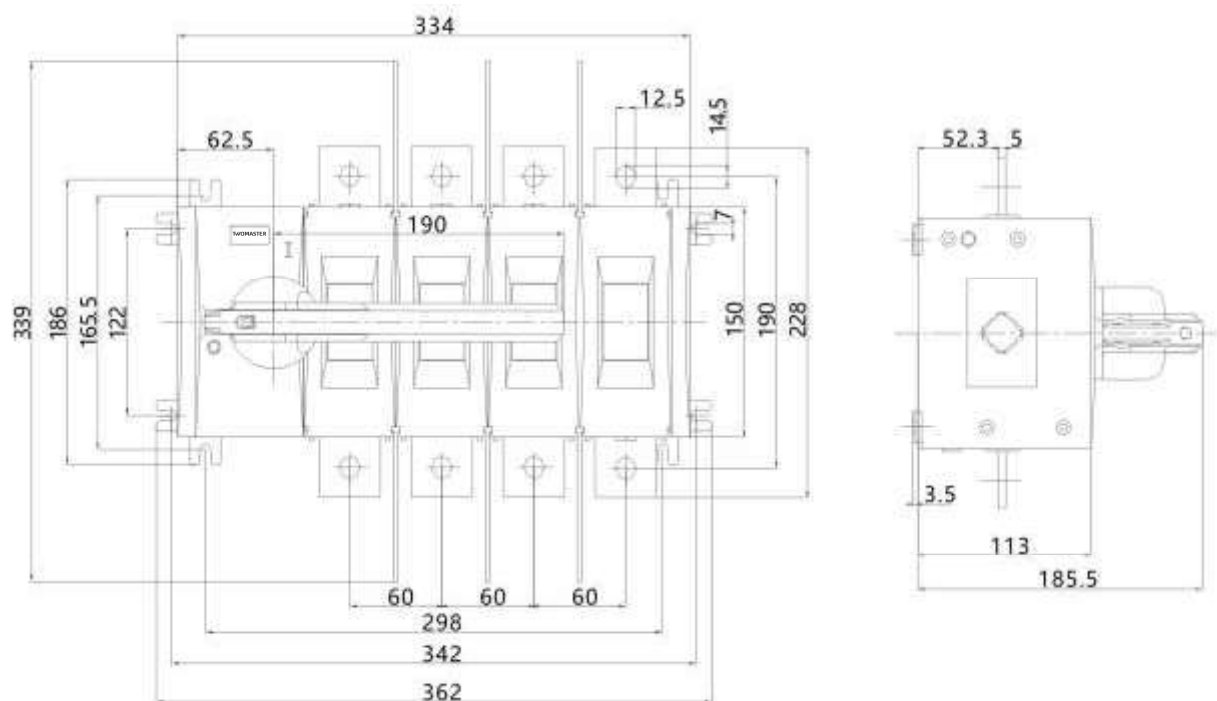


TWOMASTER PV Series

1500VDC / 250A / 4P



1500VDC / 315...630A / 4P



TWOMASTER

manages the energy



OSSA
manages the energy

İvedik OSB Melih Gökçek Bulvarı Eminel İş Merkezi
No:18/101 Yenimahalle / ANKARA / TÜRKİYE
Tel : +90 312 394 6772 / +90 312 394 OSSA
Fax : +90 312 394 6771
Email : info@twomaster.com.tr
Web : www.twomaster.com.tr