

TWOMASTER

Cylindrical Fuse and Fuse Holder



TWOMASTER FH Series

Cylindrical Fuse Holder



Product Code



000-0,5A ; 001-1A ; 002-2A ; 004-4A ; 006-6A ; 008-8A
010-10A ; 012-12A ; 015-15A ; 016-16A ; 020-20A ;
025-25A ; 032-32A ; 040-40A ; 050-50A ; 063-63A ;
080-80A ; 100-100A ; 125-125A

1-1 Pole ; 2-2 Poles ; 3-3 Poles ; 4-4 Poles ; 5-3P+N

0-gG ; 1-aM ; 2-aR ; 3-gPV ; 4-800VAC ; 5;1000VAC

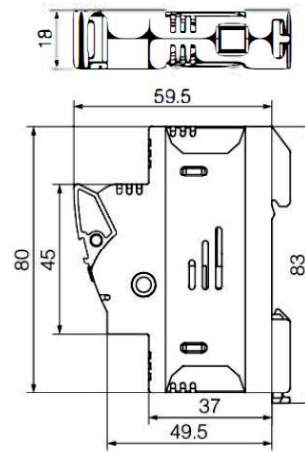
0-NH00 ; 1-NH1 ; 2-NH2 ; 3-NH3 ; 4-NH4 ; 5-NH000
6-10x38 ; 7-14x51 ; 8-22x58 ; 9-10x85

0-AC ; 1-DC ; 2-AC Fuse Holder ; 3-DC Fuse Holder

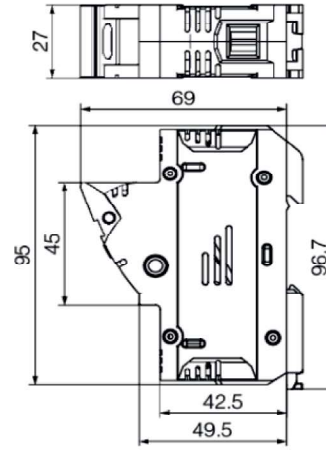
4-AC FH LED ; 5-DC FH LED ; 6-NH holder ; 7-NH Cover

4-Fuse

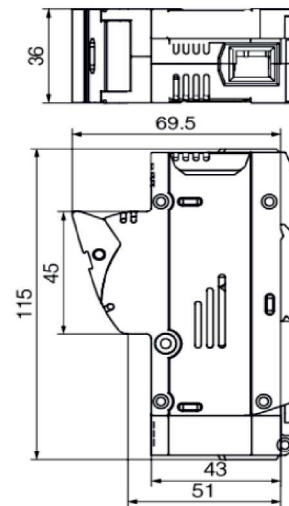
Product model	TWOMASTER FH Series 10x38
Description	Fuse switch disconnecter, standard structure without null line
Pole	1P
Mounting method	DIN rail installation
Wiring range	0.75-25mm ²
Fuse size	10*38
Rated operational current Ie	32A(500VAC)/25A(690VAC)
Rated operational voltage Ue	500VAC/690VAC
Rated insulation voltage	800V
Rated impulse withstand current Ipk	6 kV
Breaking capacity with fuse	100kA(500VAC)/50kA(690VAC)
Utilization category with fuse	g G
IP	IP20
Reference standard	IEC 60269-2 GB/T 13539.2



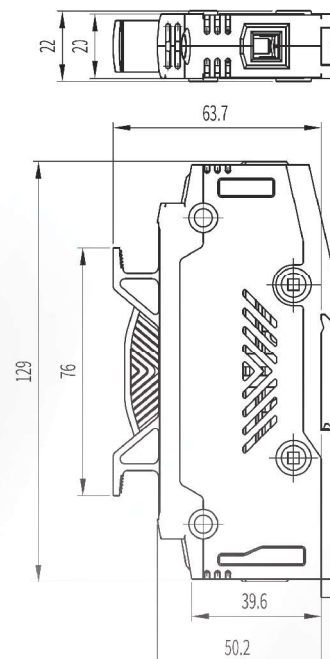
Product model	TWOMASTER FH Series 14x51
Description	Fuse switch disconnecter, standard structure without null line
Pole	1P
Mounting method	DIN rail installation
Wiring range	1.5-35mm ²
Fuse size	14*51
Rated operational current Ie	63A(500VAC)/50A(690VAC)
Rated operational voltage Ue	500VAC/690VAC
Rated insulation voltage	800V
Rated impulse withstand current Ipk	6 kV
Breaking capacity with fuse	100kA(500VAC)/50kA(690VAC)
Utilization category with fuse	g G
IP	IP20
Reference standard	IEC 60269-2 GB/T 13539.2



Product model	TWOMASTER FH Series 22x58
Description	Fuse switch disconnecter, standard structure without null line
Pole	1P
Mounting method	DIN rail installation
Wiring range	4-50mm ²
Fuse size	22*58
Rated operational current Ie	125A(500VAC)/100A(690VAC)
Rated operational voltage Ue	500VAC/690VAC
Rated insulation voltage	800V
Rated impulse withstand current Ipk	6 kV
Breaking capacity with fuse	100kA(500VAC)/50kA(690VAC)
Utilization category with fuse	g G
IP	IP20
Reference standard	IEC 60269-2 GB/T 13539.2



Product model	TWOMASTER FH Series 10x85
Description	Photovoltaic fuse holder,
Pole	1 P
Mounting method	Din rail installation
Wiring range	0.75-25mm ²
Fuse size	10*85mm/14*85mm
Rated operational current Ie0	32A
Rated operational voltage Ue	DC1500V
Rated insulation voltage Ui	DC1500V
Rated impulse withstand current Ipk	8 kV
Breaking capacity with fuse	30KA
Utilization Category	DC-PV0
IP	IP20
Reference standard	IEC 60947-3 GB/T 14048.3



TWOMASTER CF Series

Cylindrical Fuse

Product Code



000-0,5A ; 001-1A ; 002-2A ; 004-4A ; 006-6A ; 008-8A
010-10A ; 012-12A ; 015-15A ; 016-16A ; 020-20A ;
025-25A ; 032-32A ; 040-40A ; 050-50A ; 063-63A ;
080-80A ; 100-100A ; 125-125A

1-1 Pole ; 2-2 Poles ; 3-3 Poles ; 4-4 Poles ; 5-3P+N

0-gG ; 1-aM ; 2-aR ; 3-gPV ; 4-800VAC ; 5-1000VAC
0-NH00 ; 1-NH1 ; 2-NH2 ; 3-NH3 ; 4-NH4 ; 5-NH000
6-10x38 ; 7-14x51 ; 8-22x58 ; 9-10x85

0-AC ; 1-DC ; 2-AC Fuse Holder ; 3-DC Fuse Holder
4-AC FH LED ; 5-DC FH LED ; 6-NH holder ; 7-NH Cover

4-Fuse

Item No.	Rated current Ie	Rated voltage Ue	Breaking capacity with fuse
10x38	In:1A, 2A, 4A, 6A, 8A, 10A, 16A, 20A, 25A, 32A(500VAC); In: 1A, 2A, 4A, 6A, 8A, 10A, 16A (690VAC)	500VAC/ 690VAC	100kA (500VAC)/ 50kA (690VAC)
14x51	In:2A, 4A, 6A, 8A, 10A, 12A, 16A, 20A, 25A, 32A, 40A, 50A, 63A(500VAC); In:2A, 4A, 6A, 8A, 10A, 12A, 16A, 20A, 25A, 32A (690VAC)	500VAC/ 690VAC	100kA (500VAC)/ 50kA (690VAC)
22x58	In: 10A, 16A, 20A, 25A, 32A, 40A, 50A, 63A, 80A, 100A, 125A (500VAC) In: 10A, 16A, 20A, 25A, 32A, 40A, 50A (690VAC)	500VAC/ 690VAC	100kA (500VAC)/ 50kA (690VAC)



TWOMASTER CF Series

Cylindrical Fuse

Size	10x38
Rated voltages	10x38 1000V DC
Rated currents	2A...32A
Rated breaking capacity	20kA
Utilization category	gPV
Rated power dissipation	No more than 4.5W at 0.7In; no more than 8.4W at In
Non fusing current	1,3.In
Operating temp.	-40°C...+80°C
Standart	IEC 60269-6



Size	10x85
Rated voltages	10x85 1500V DC
Rated currents	2A...32A
Rated breaking capacity	20kA
Utilization category	gPV
Rated power dissipation	No more than 4.5W at 0.7In; no more than 8.4W at In
Non fusing current	1,3.In
Operating temp.	-40°C...+80°C
Standart	IEC 60269-6



TWOMASTER

manages the energy



OSSA
manages the energy

İvedik OSB Melih Gökçek Bulvarı Eminel İş Merkezi
No:18/38 Yenimahalle / ANKARA / TÜRKİYE
Tel : +90 312 394 6772 / +90 312 394 OSSA
Fax : +90 312 394 6771
Email : info@twomaster.com.tr
Web : www.twomaster.com.tr